

1490001010

## ITSV-1

IP Touch Station with Video



**Video Intercom**



**HD Voice**



**H.264**

Video desktop intercom supporting AlphaCom XE, SIP and Pulse solutions.

### DESCRIPTION

- Video desktop intercom supporting AlphaCom XE, SIP and Pulse solutions
- Phonebook with up to 1000 contacts and call history with up to 1000 records
- Dual switched auto-sensing 10/100/1000Mbps network ports
- Wi-Fi (802.11b/g/n), PoE+, Bluetooth, USB, SD, HDMI, EHS with Plantronics headsets support
- 4.3" (480x272) capacitive (5 points) touch screen TFT LCD
- Megapixel CMOS sensor camera with privacy shutter
- HD wideband audio
- Full-duplex hands-free speakerphone with advanced acoustic echo cancellation and excellent double-talk performance

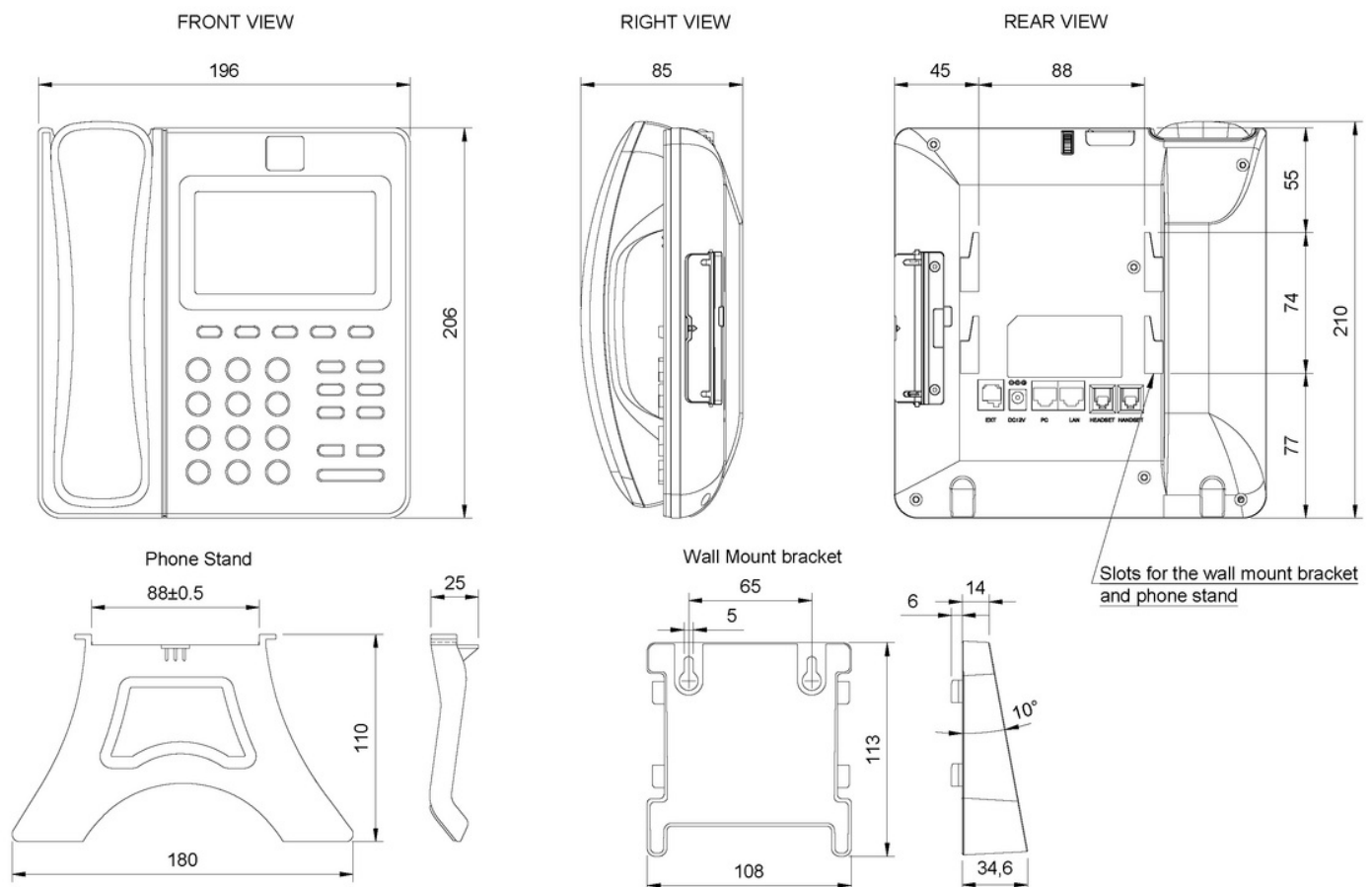
ITSV-1 represents the future in IP Intercom Services, featuring Android™ Operating System 4.2, a 4.3" (480x272) capacitive touch screen, a tiltable mega-pixel CMOS sensor, dual Gigabit network ports, integrated Wi-Fi, PoE and Bluetooth. The ITSV-1 delivers superior HD audio & video, leading edge SIP intercom features and integration with the PULSE and AlphaCom IP Intercom Platforms, developed by Zenitel. ITSV-1 redefines the desktop communication experience with a raised level of innovation and integration of state-of-art real time video conferencing, personalized rich media presentation & delivery.

## SPECIFICATIONS

### GENERAL

Dimension (WxLxH)	196.5mm (W) x 206.2mm (L) x 85.2mm (H)
Weight	0.92kg
Graphic Display	4.3" (480x272) capacitive (5 points) touch screen TFT LC
Camera	Tiltable mega pixel CMOS camera with privacy shutter
Video Codec	H.264, supports display of MJPEG streams
Video resolution	Up to 720p
Video frame rate	Up to 30 fps
Operating temperature range	0°C to +40°C
Storage temperature range	-10°C to +60°C
Relative humidity	10% - 90% non-condensing
Power options	Power over Ethernet (PoE) or power adapter.
Power over Ethernet	IEEE 802.3at, Class 4, Idle 3.8W, max. 9.7W
Power adapter	12VDC, 1.5A, Idle 2.2W, max 7.6W
Network Interface	2 x RJ45 (Ethernet) 10/100/1000 Mbps with integrated PoE
Bluetooth	Integrated, Bluetooth 4.0 + EDR
Wi-Fi	Integrated, 802.11 b/g/n
Security	MD5 and MD5-session authentication, 256-bit AES encryption, TLS, SRTP, HTTPS, 802.1x media access control
SIP	RFC 3261, SIP Info (DTMF), RFC 2833 (DTMF)
IP protocols	IPv4 - IPv6 - TCP - UDP - HTTPS - TFTP - RTP - RTCP -DHCP - SIP
Audio technology	Wideband 200 Hz - 7 kHz (G.722), Telephony 3.4kHz (G.711), Narrowband (G.729)
Compliance	CE and FCC Part 15

## TECHNICAL DIMENSIONS



Created: 02.06.2017, updated: 10.04.2018

page 2/4

www.zenitel.com

info@zenitel.com

Zenitel and its subsidiaries assume no responsibility for any errors that may appear in this publication, or for damages arising from the information therein. Vingtor-Stentofon products are developed and marketed by Zenitel. The company's Quality Assurance System is certified to meet the requirements in NS-EN ISO 9001. Zenitel reserves the right to modify designs and alter specifications without notice.

ZENITEL PROPRIETARY. This document and its supplementing elements, contain Zenitel or third party information which is proprietary and confidential. Any disclosure, copying, distribution or use is prohibited, if not otherwise explicitly agreed in writing with Zenitel. Any authorized reproduction, in part or in whole, must include this legend. Zenitel - All rights reserved.

**USED WITH**



1008115020

**TCIV-2**

IP and SIP Video Intercom



1008115030

**TCIV-3**

IP and SIP Video Intercom



1008115060

**TCIV-6**

IP and SIP Video Intercom

1401110200

**IP VANDAL RESISTANT VIDEO INTERCOM STATION  
W/ AXIS CAMERA**

AXIS Camera



1401110100

# IP VANDAL RESISTANT VIDEO INTERCOM STATION W/ CP CAM CAMERA

CP CAM Camera

